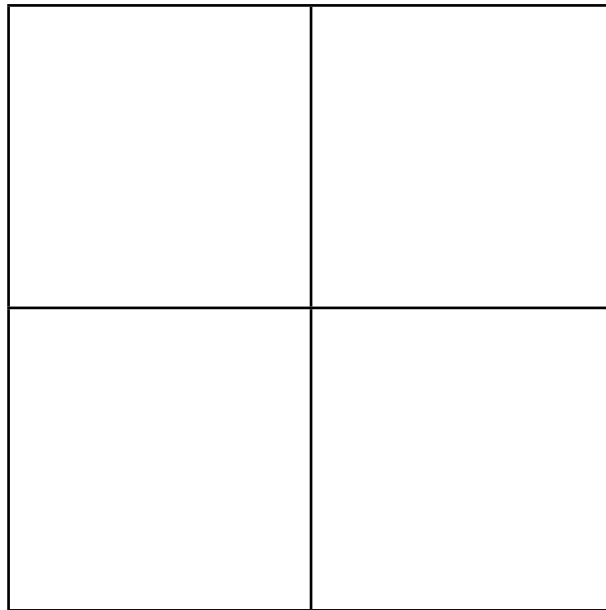


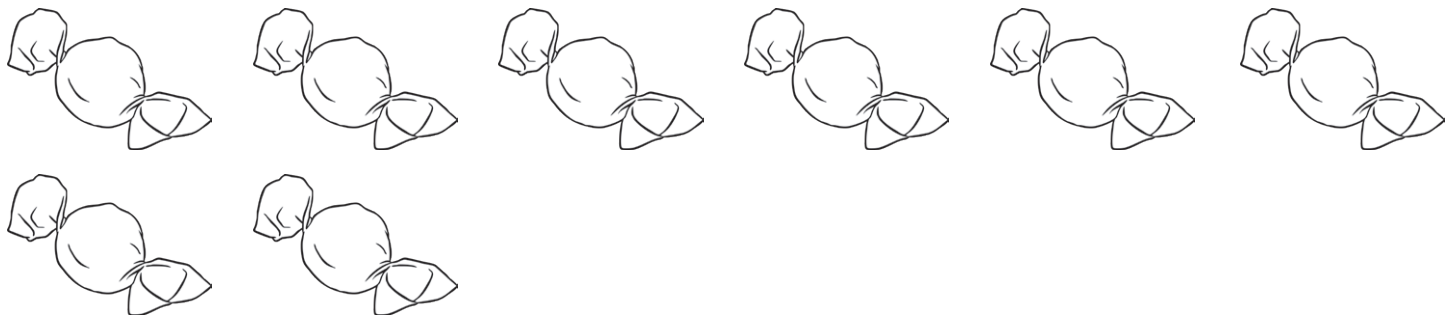
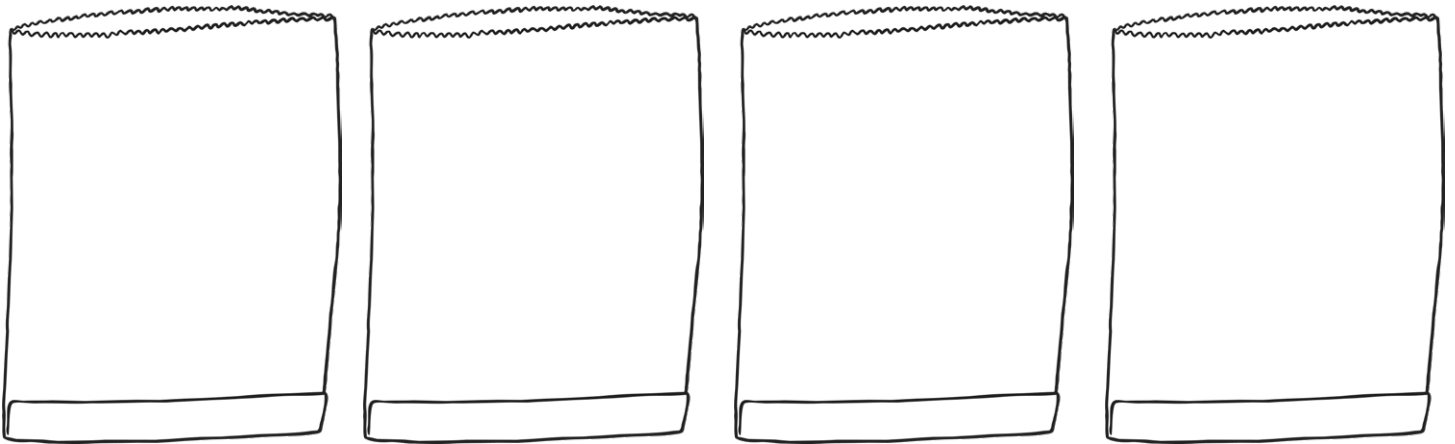


# Finding Quarters

1. Colour each quarter a different colour. How many colours will you need?



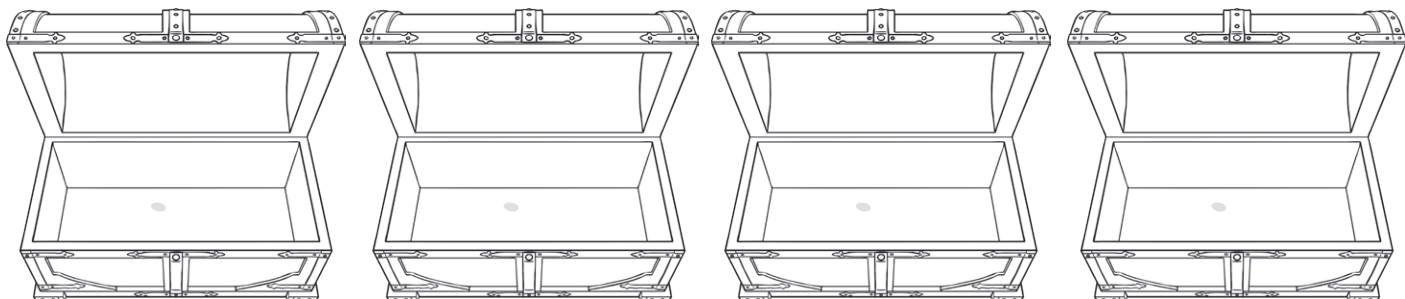
2. There are 8 sweets. Put  $\frac{1}{4}$  of the sweets into each bag.



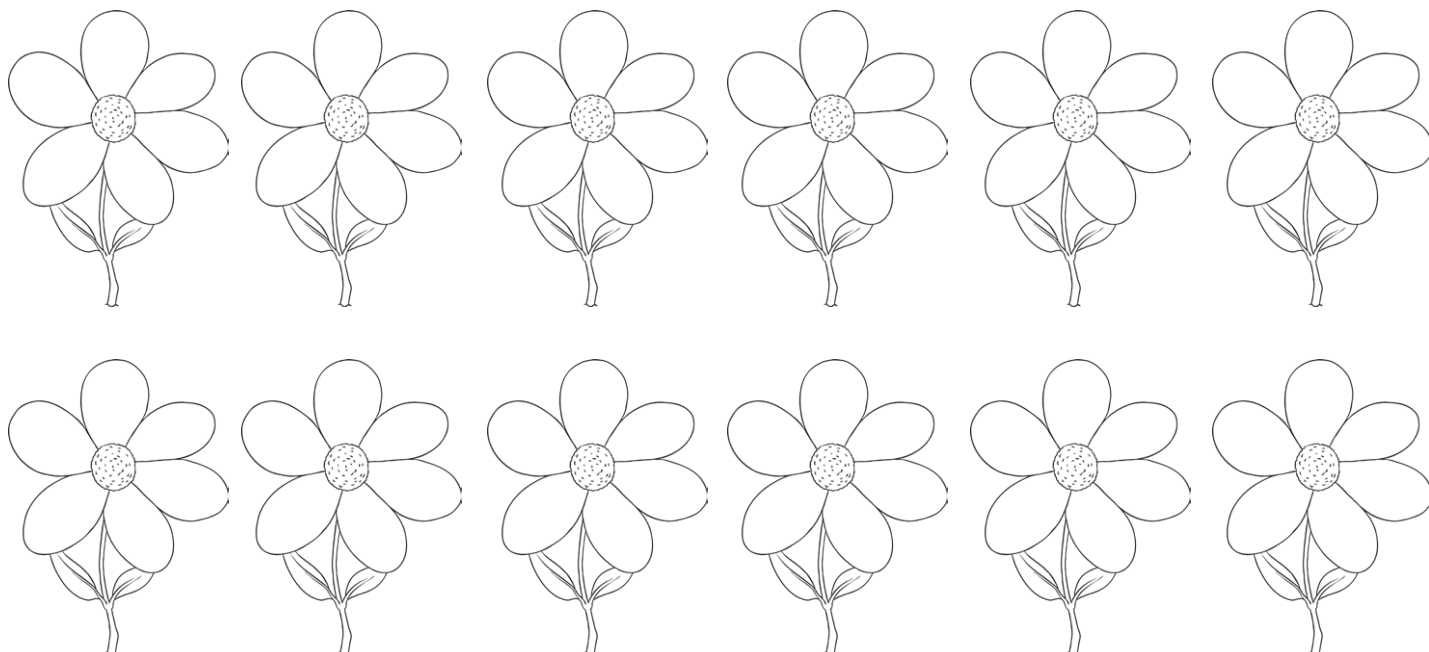


# Finding Quarters

3. There are 16 coins. Put  $\frac{1}{4}$  of the coins into each chest.



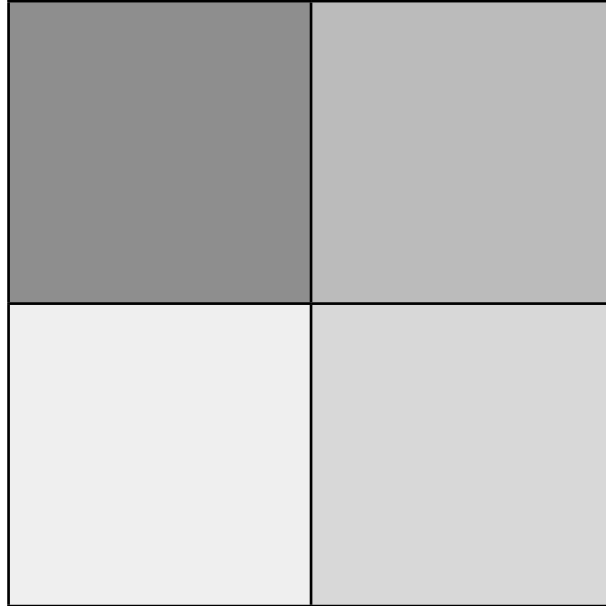
4. Colour  $\frac{1}{4}$  of the flowers.



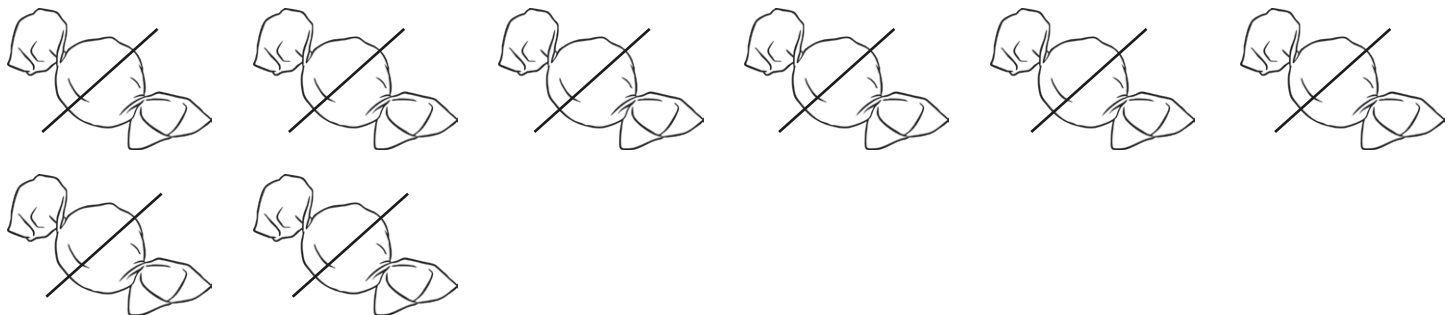
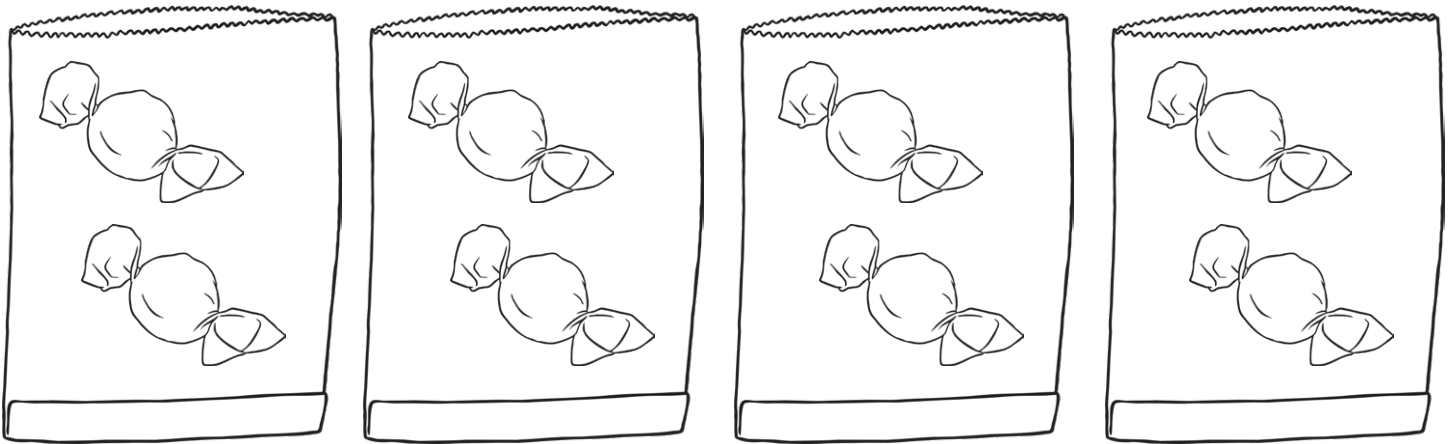


# Finding Quarters Answers

1. Colour each quarter a different colour. How many colours will you need?  
**4 colours will be needed.**



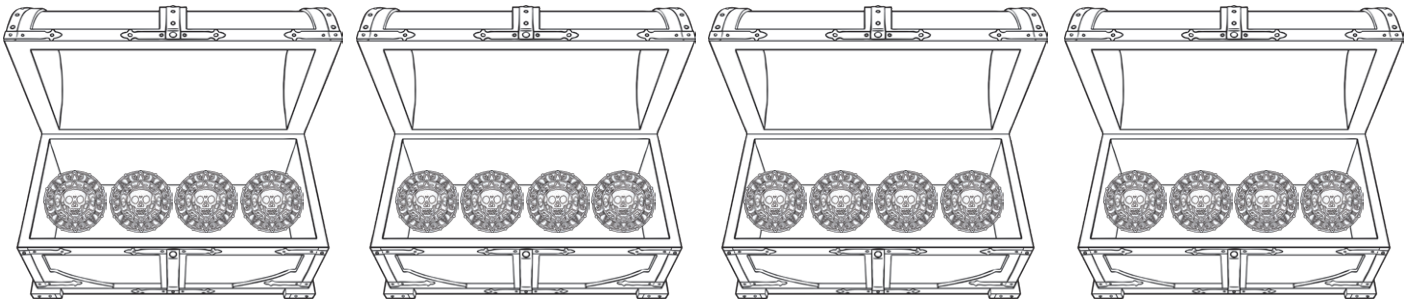
2. There are 8 sweets. Put  $\frac{1}{4}$  of the sweets into each bag.



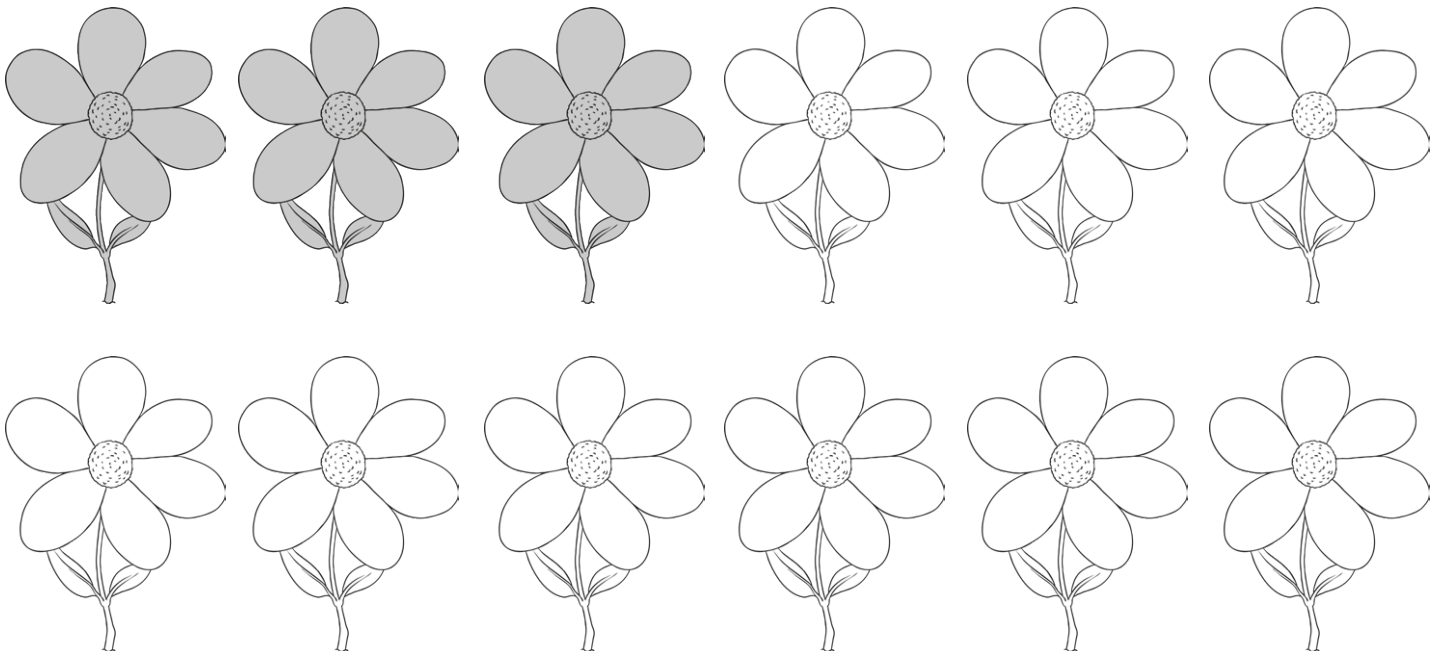


# Finding Quarters Answers

1. There are 16 coins. Put  $\frac{1}{4}$  of the coins into each chest.



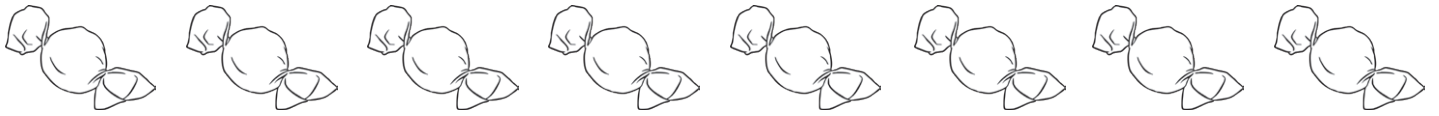
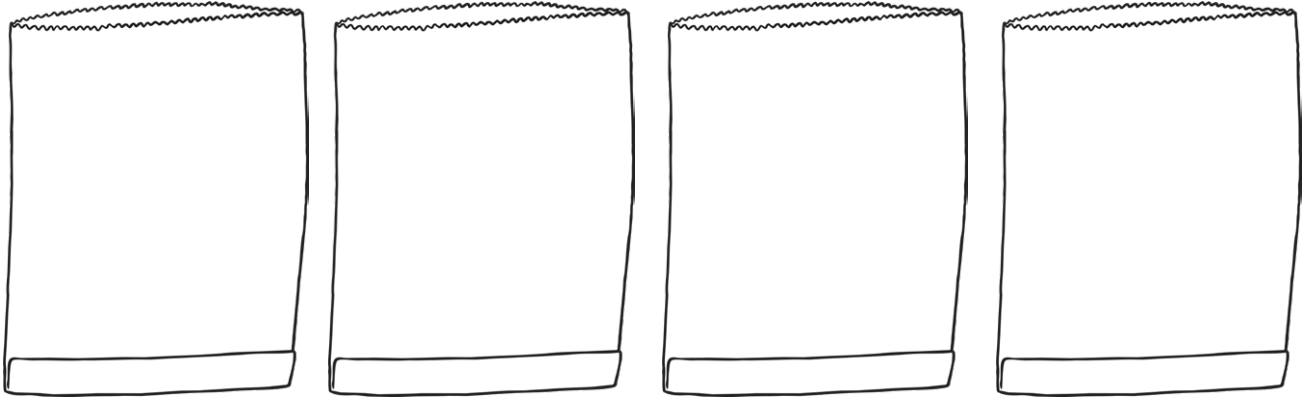
2. Colour  $\frac{1}{4}$  of the flowers.  
**Any three flowers may be coloured.**



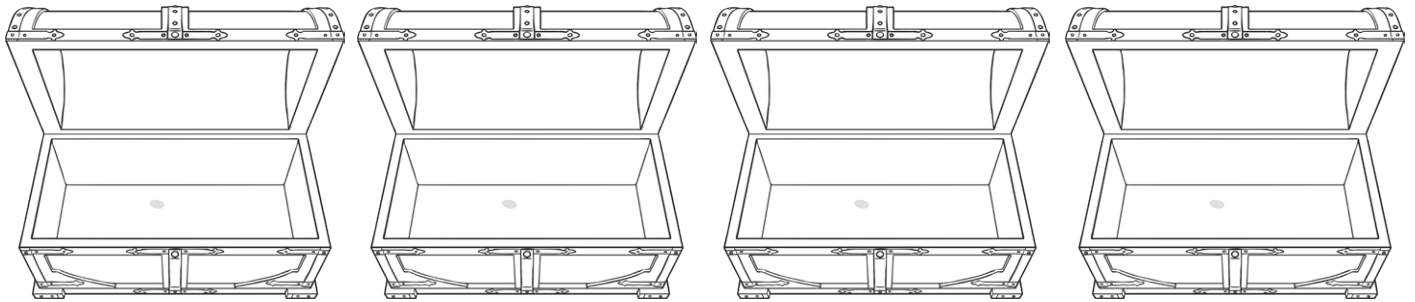


# Finding Quarters

1. There are 8 sweets. Put  $\frac{1}{4}$  of the sweets into each bag.



2. There are 16 coins. Put  $\frac{1}{4}$  of the coins into each chest.



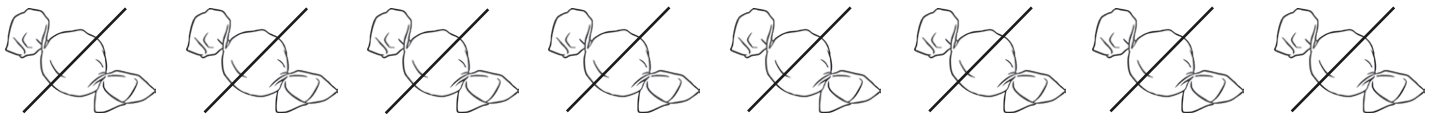
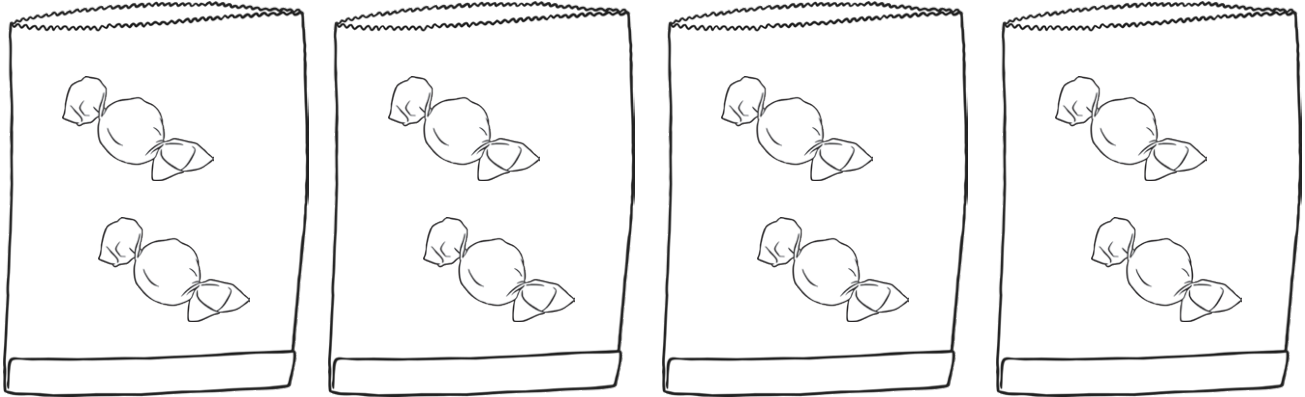
3. There are 20 children in the class.  $\frac{1}{4}$  of them are boys. Draw the boys.



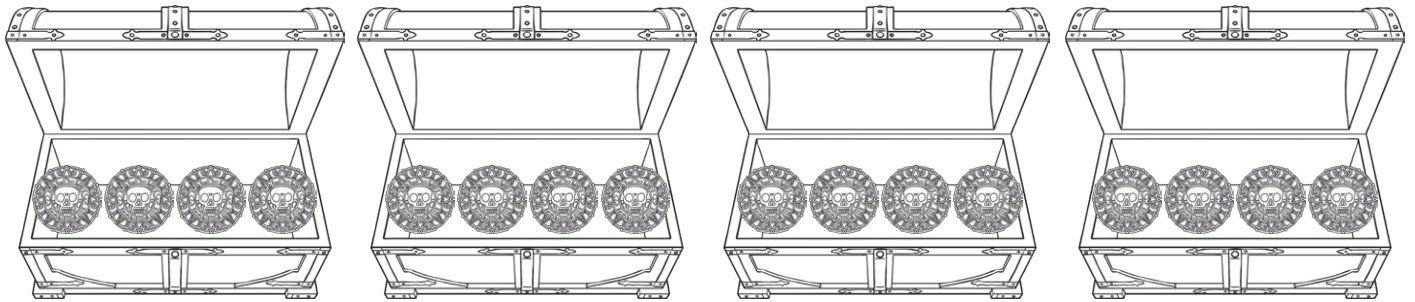


# Finding Quarters Answers

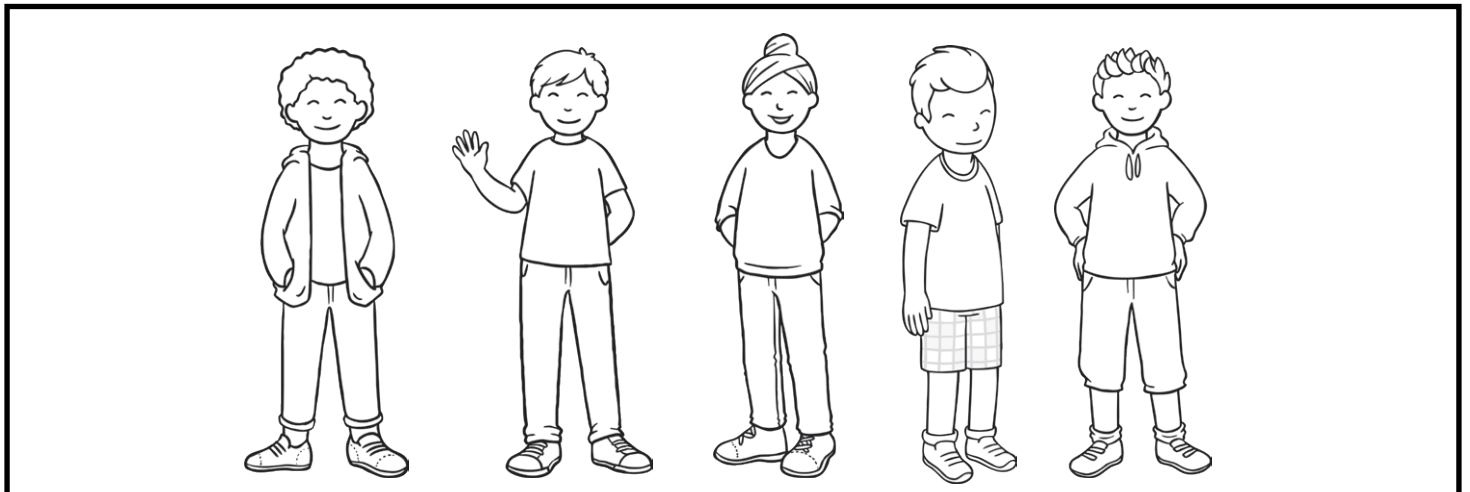
1. There are 8 sweets. Put  $\frac{1}{4}$  of the sweets into each bag.



2. There are 16 coins. Put  $\frac{1}{4}$  of the coins into each chest.



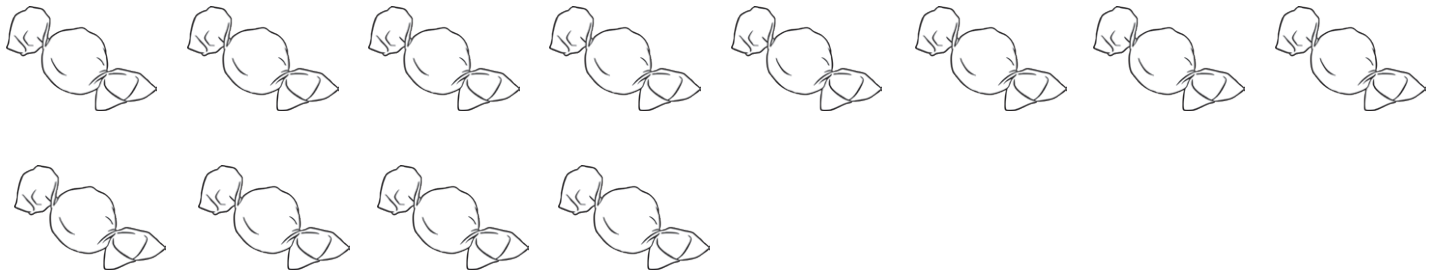
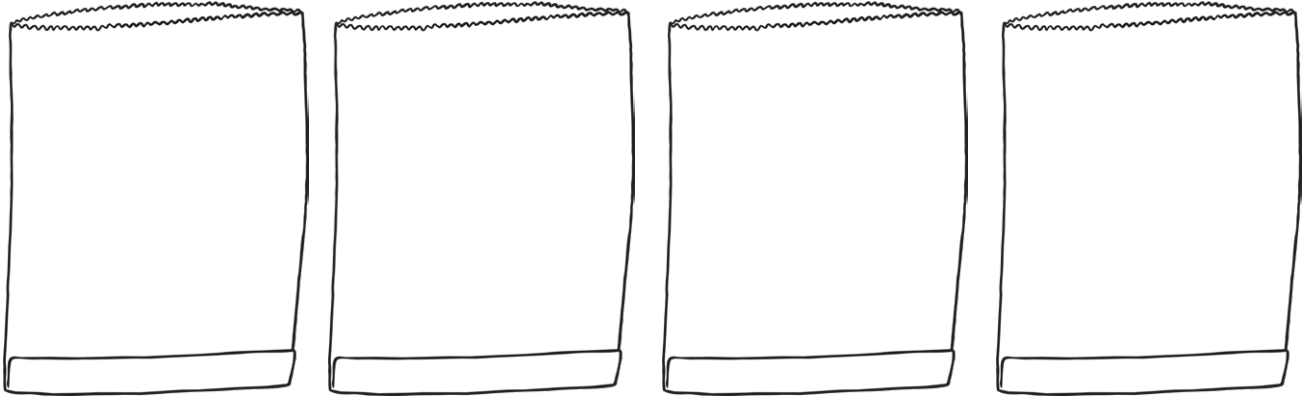
3. There are 20 children in the class.  $\frac{1}{4}$  of them are boys. Draw the boys.



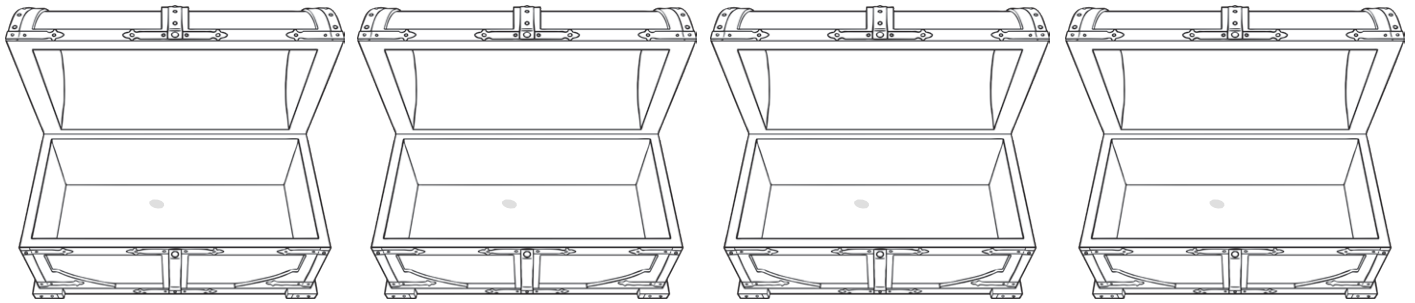


# Finding Quarters

1. There are 12 sweets. Put  $\frac{1}{4}$  of the sweets into each bag.



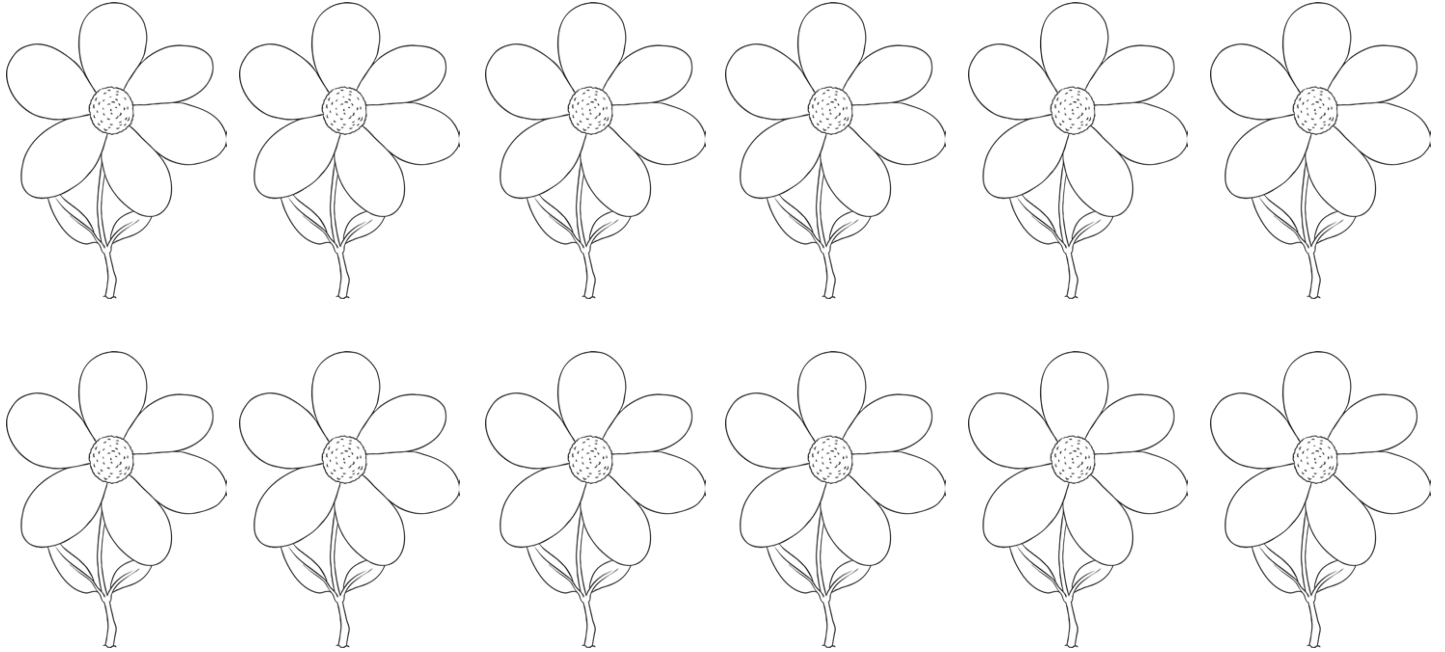
2. There are 20 coins. Put  $\frac{1}{4}$  of the coins into each chest.



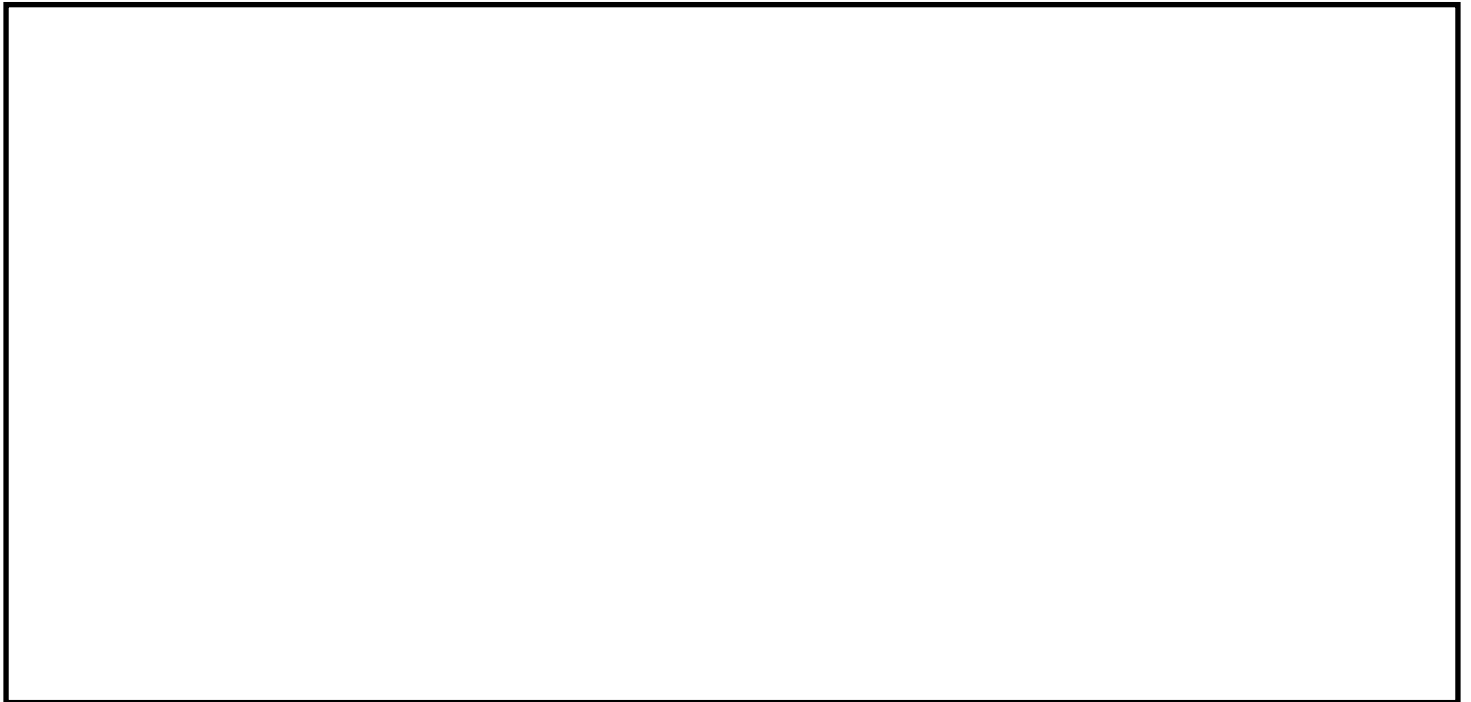


# Finding Quarters

3. Colour  $\frac{1}{4}$  of the flowers.



4. There are 28 children in the class.  $\frac{1}{4}$  of them are girls. Draw the girls.

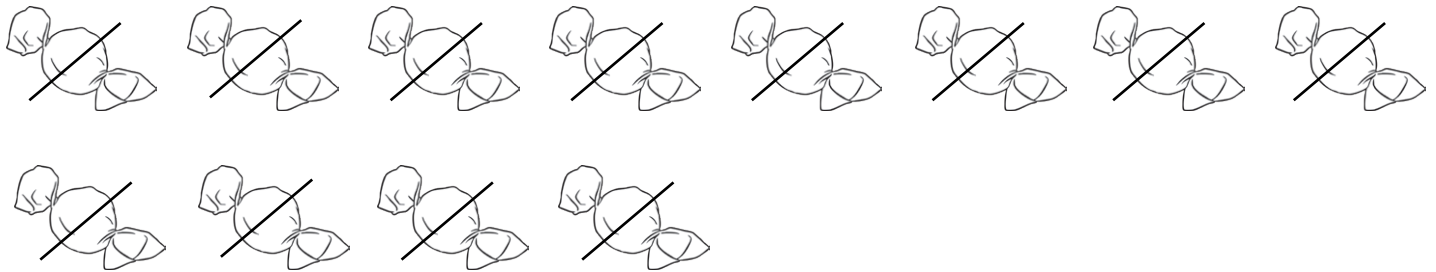
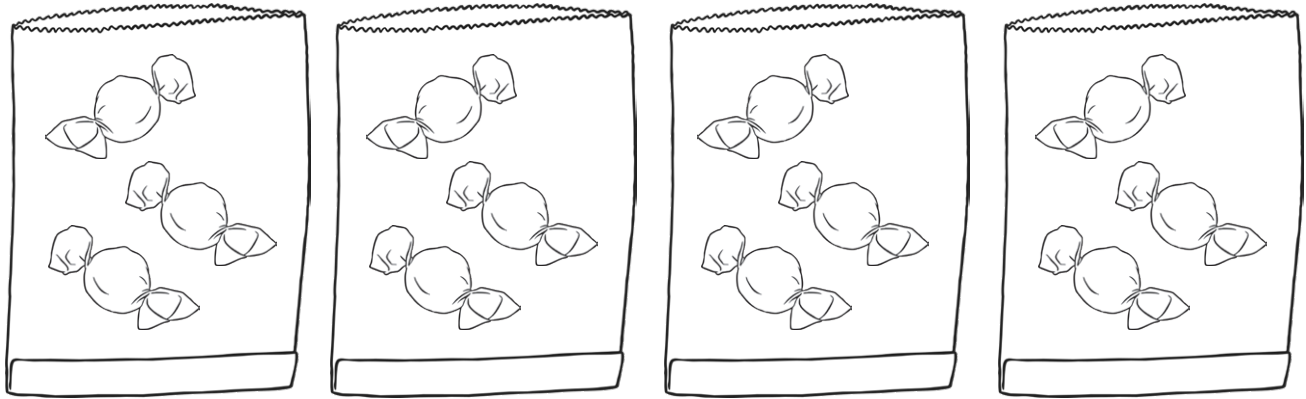




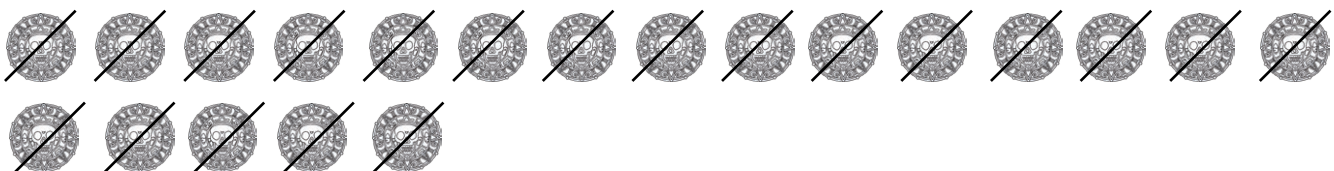
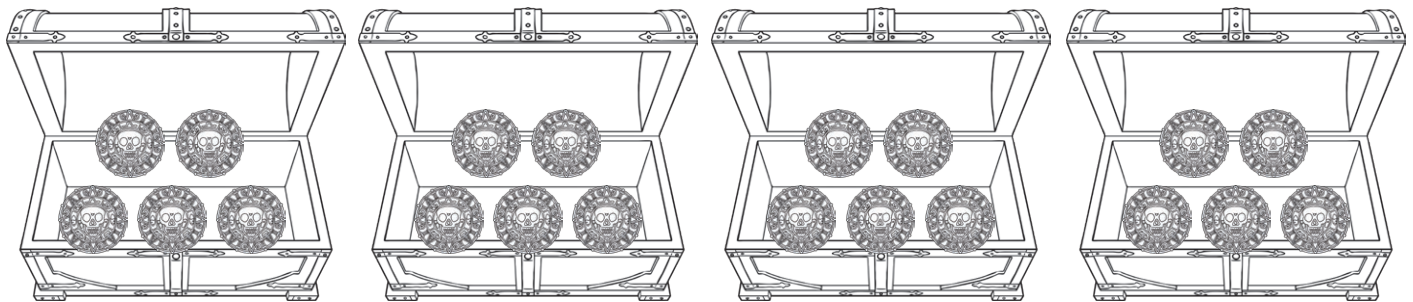


# Finding Quarters Answers

1. There are 12 sweets. Put  $\frac{1}{4}$  of the sweets into each bag.



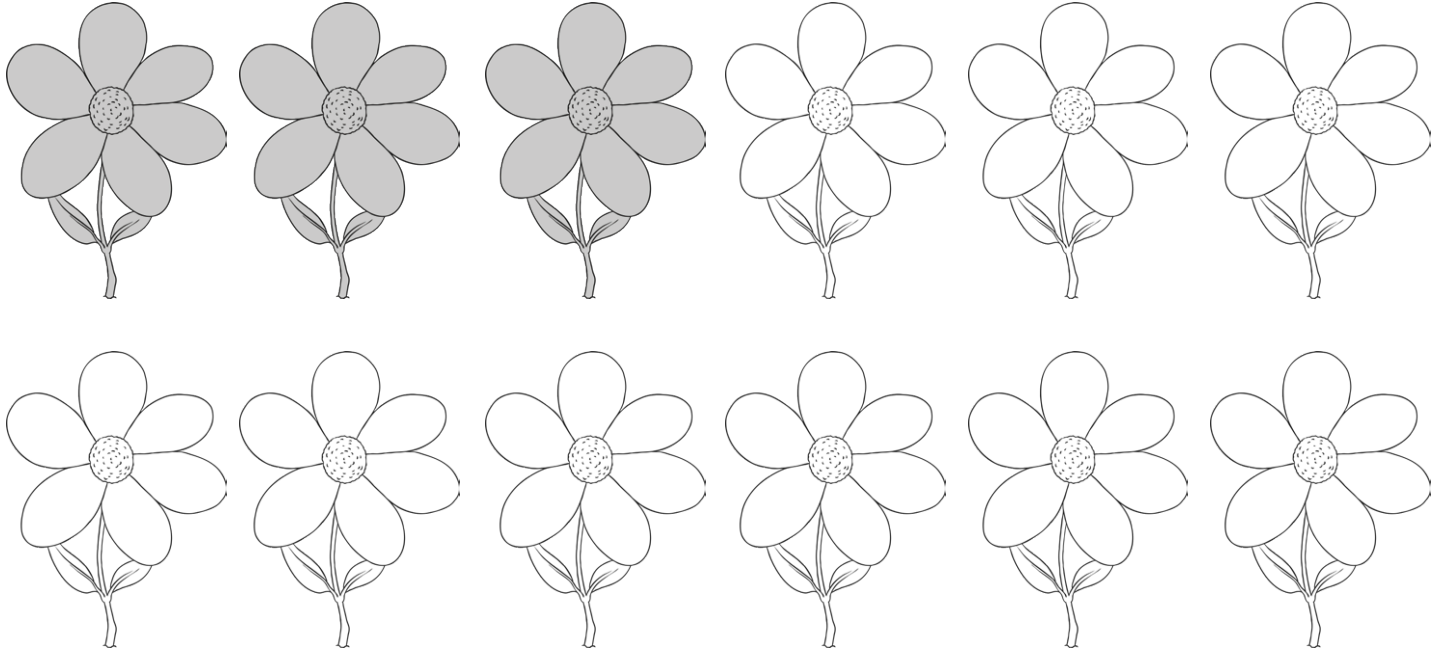
2. There are 20 coins. Put  $\frac{1}{4}$  of the coins into each chest.





# Finding Quarters Answers

3. Colour  $\frac{1}{4}$  of the flowers.  
Any three flowers may be coloured.



4. There are 28 children in the class.  $\frac{1}{4}$  of them are girls. Draw the girls.

